

 **First in Quality. Built to Last.**



BB-2

BOTTOM BELT CASE TAPER

EASTEY DELIVERS WHAT YOU NEED. . . TODAY

Easteys's BB-2 case taper is a cost-effective top and bottom case taper designed for large run case sealing. BB-2 utilizes pressure-sensitive tape and features self-centering side rails, a rugged bottom belt drive, and heavy-duty mast that easily adjusts to handle a variety of case sizes.

INNOVATIVE TECHNOLOGY, PROVEN RELIABILITY

BB-2 offers the durability, versatility and reliability that you have come to rely on from Easteys. The system's unique and simple design has proven to be one of the most reliable case tapers on the market today, keeping production and maintenance efforts to a minimum and providing fast and efficient alternatives to hand taping.

TRUE VERSATILITY FOR YOUR NEEDS

BB-2 offers fast and easy case changes with adjustable side rails and flexibility ranging from 4.5" to infinite box length. BB-2 is also able to seal cases ranging from 4.5" to 22.5" in width, as well as 4" to 25.5" in depth. Adjustments can be made on the fly with easy hand tighten knobs on a single mast design. A single drive motor and aggressive drive belts will move your boxes and stand up to your toughest challenges. BB-2 is also perfect for integration with ink jet printers where coding is required on boxes.


First in Quality. Built to Last.

COST-EFFECTIVE CASE SEALING

BB-2 features self-centering side rails, a rugged bottom belt drive, and heavy-duty mast that easily adjusts to handle a variety of case sizes at a cost-effective price.

CASE TAPING AS EASY AS 1-2-3

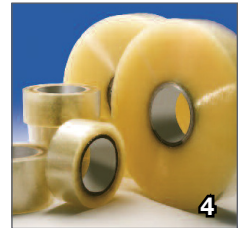
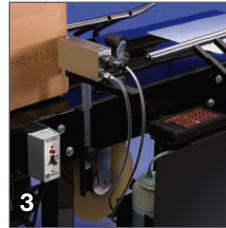
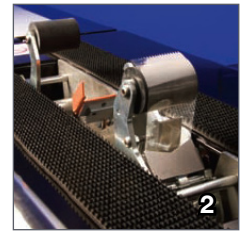
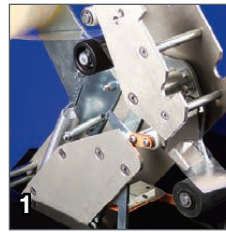
BB-2 top and bottom tape heads are interchangeable and tip back for easy threading. No air is required to run the BB-2 taping system so it can be placed anywhere in the factory. A safe single mast allows clear access to all components and adjusts for a variety of case sizes. The use of Easteys's BB-2 case taping machine can be learned in minutes, avoiding breaks in production and downtime, saving your company money and increasing your ROI.

INDUSTRIAL STRENGTH OPERATION

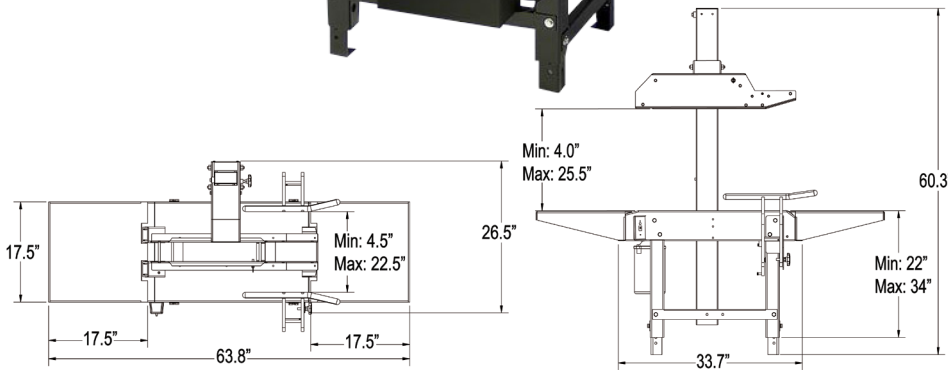
A single drive motor and aggressive industrial strength drive belts make BB-2 a workhorse that will stand up to your toughest challenges. Each case taping machine is made from 12 gauge steel that meets most factory requirements. A powder coated exterior protects the machine from abusive conditions and guarantees years of use.

THE RIGHT SOLUTION

Rugged design. Proven reliability. Simple operation. Your benefits go on and on. When it comes to industrial operation, rely on Easteys to provide the right solution for your case sealing needs.



1. Top and bottom tape heads are interchangeable and tip back for easy threading
2. Industrial strength drive belts move boxes consistently through the taper
3. BB-2 can be easily integrated with inkjet printers for simple dot matrix case coding
4. Eastey industrial box sealing tape offers the durability, versatility and reliability needed in your case taping operation



BB-2 FEATURES	BB-2 TAPING SPECIFICATIONS				
<ul style="list-style-type: none"> Plug-in and go operation Powder coated 12 gauge steel Interchangeable top and bottom tape cartridges Adjustable side rails Industrial strength drive belts Safe single mast design Easy hand-tighten adjustments No air required Low maintenance Simple integration with ink jet printers 1 pack table 	Sealer Type	Bottom belt, top and bottom case sealer			
	Machinery Makeup	Industrial strength 12 gauge steel, powdered coated for durability			
	Belt Speed	60 feet/per minute			
	Tape Speed	30 cases/per minute, depending on box size and operator efficiency			
	Adjustable Side Rails	Palm grip knobs offer quick and simple adjustments			
	Conveyor Height Adj.	22.25" to 34.25"			
	BOX SPECIFICATIONS		Length	Width	Depth
	Minimum Box Size	4.5"	4.5"	4"	
	Maximum Box Size	Infinite	22.5"	25.5"	
	Tape Size	2" wide pressure sensitive tape, up to 15" diameter rolls, optional 3" wide tape			
Tape Cartridge	Proven design requires no lubrication, tips back for simple tape threading, removable for maintenance and interchangeable with top or bottom cartridges				
Air Requirements	None				
Electrical Requirements	110 VAC, 60Hz, 6A				
BB-2 OPTIONAL ACCESSORIES					
3" Tape Head	Accepts 3" wide tape rolls				
Casters	Rugged wheels for transportation within plant				
Front and Rear Packing Table	Solid tables bolt before and/or after taping system to allow for case packing				
Top Squeezers	Designed to stabilize the box and push the top flaps together for easier taping				



7041 Boone Avenue North, Brooklyn Park, MN 55428
 (763) 428-4846 1 (800) 835-9344 fax (763) 795-8867
 www.eastey.com info@eastey.com

